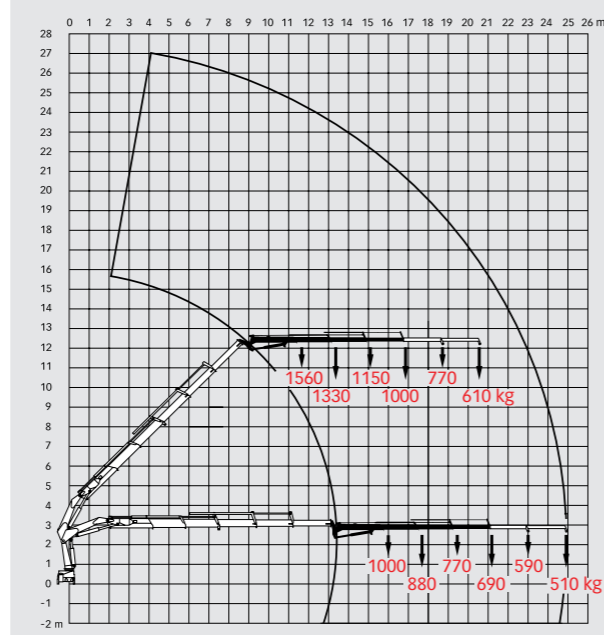
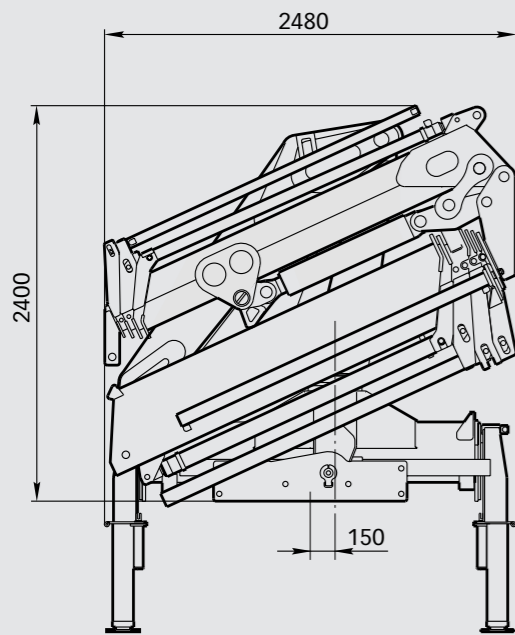
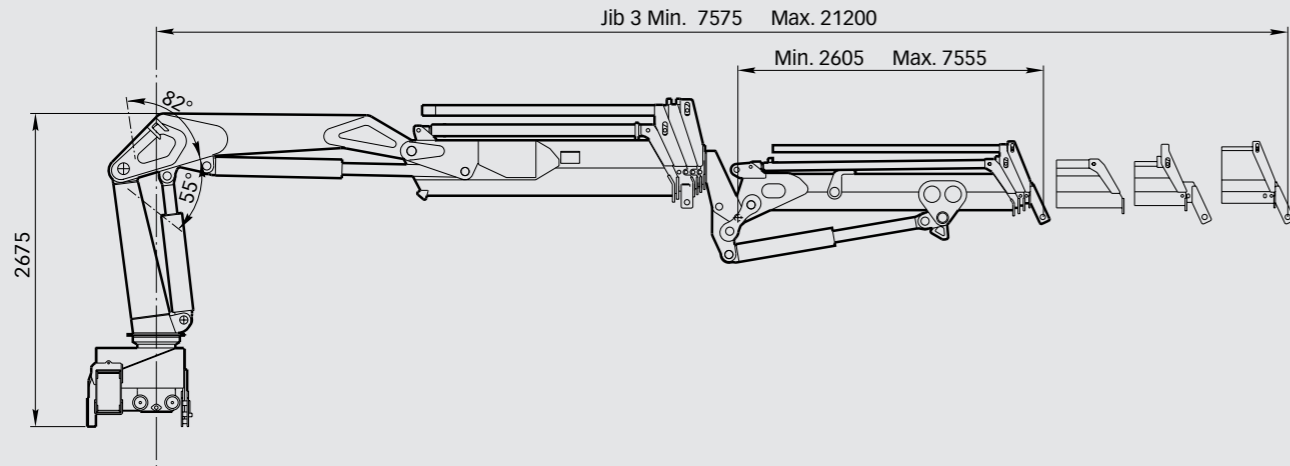
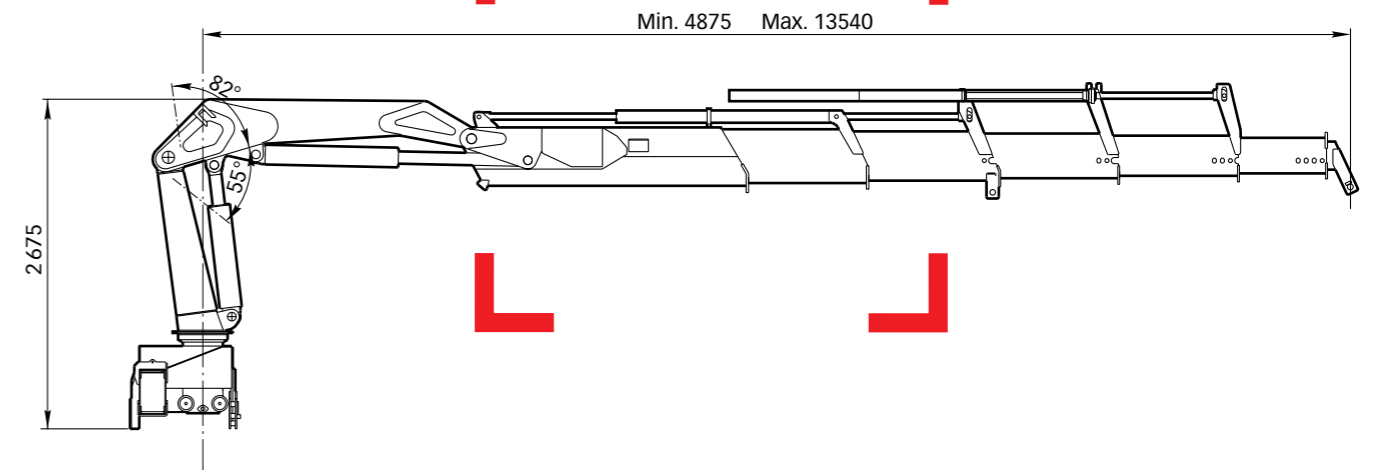


HIAB 330 Basic data

> HIAB 330-5 jib 90-3



HIAB 330 Capacity 33 tm



Basic data

Disclaimer

Hiab cranes has been built to meet the highest standards of safety and service life and has been thoroughly tested. Strength calculations for this model have been carried out in accordance with DIN 15018. Hiab's certified Quality Assurance System complies with the ISO 9001. Some of the items in our literature may be extra equipment. Certain applications may require an official permit. We reserve the right to change technical specifications without prior notice. Hiab cranes produced for EU-countries are CE-marked and comply with the European Standard EN 12999.

BD-330-EN-EU/05/05/27

www.hiab.com



HIAB 330 Basic data

Technical data

	330-2	330-3	330-4	330-5
Max. lifting capacity (kNm)	321	311	307	302
Outreach - hydraulic extensions (m)	7.7	9.8	11.7	13.5
Outreach - manual extensions (m)	23.1	23.2	23.2	23.2
Outreach - jib (m)	-	17.5	19.3	21.2
Outreach / lifting capacity (m / kg)	2.3 / 12000*	2.3 / 12000*	2.3 / 12000*	2.3 / 12000*
	3.3 / 9500	3.3 / 9300*	3.3 / 9100*	3.3 / 9000*
	4.3 / 7600	4.6 / 6900	4.6 / 6800	4.6 / 6700
	5.9 / 5500	6.2 / 5100	6.2 / 4900	6.2 / 4800
	7.5 / 4350	7.8 / 4000	7.8 / 3800	7.8 / 3650
	-	9.6 / 3200	9.6 / 3000	9.6 / 2850
Outreach / Lifting capacity, with jib (m / kg)	-	-	11.4 / 2500	11.4 / 2350
	-	-	-	13.2 / 2000
	-	12.3 / 1830	14.1 / 1370	16.0 / 1000
	-	13.9 / 1590	15.6 / 1200	17.5 / 880
	-	15.6 / 1380	17.3 / 1050	19.2 / 770
	-	17.3 / 1120	19.0 / 950	20.9 / 690
Slewing angle	400°	400°	400°	400°
Height in folded position (mm)	2320	2320	2320	2320
Width in folded position (mm)	2490	2490	2490	2490
Installation space needed (mm)	1200	1200	1290	1290
Weight - "standard" crane without stabilizers (kg)	2890	3160	3370	3550
Weight - stabilizer equipment (kg)	425 - 635	425 - 635	425 - 635	425 - 635
Weight - jib (kg)	-	950**	950**	950**

* May require special hook or special hook position

** Incl. hose and pipe kit

HIAB 330-5

